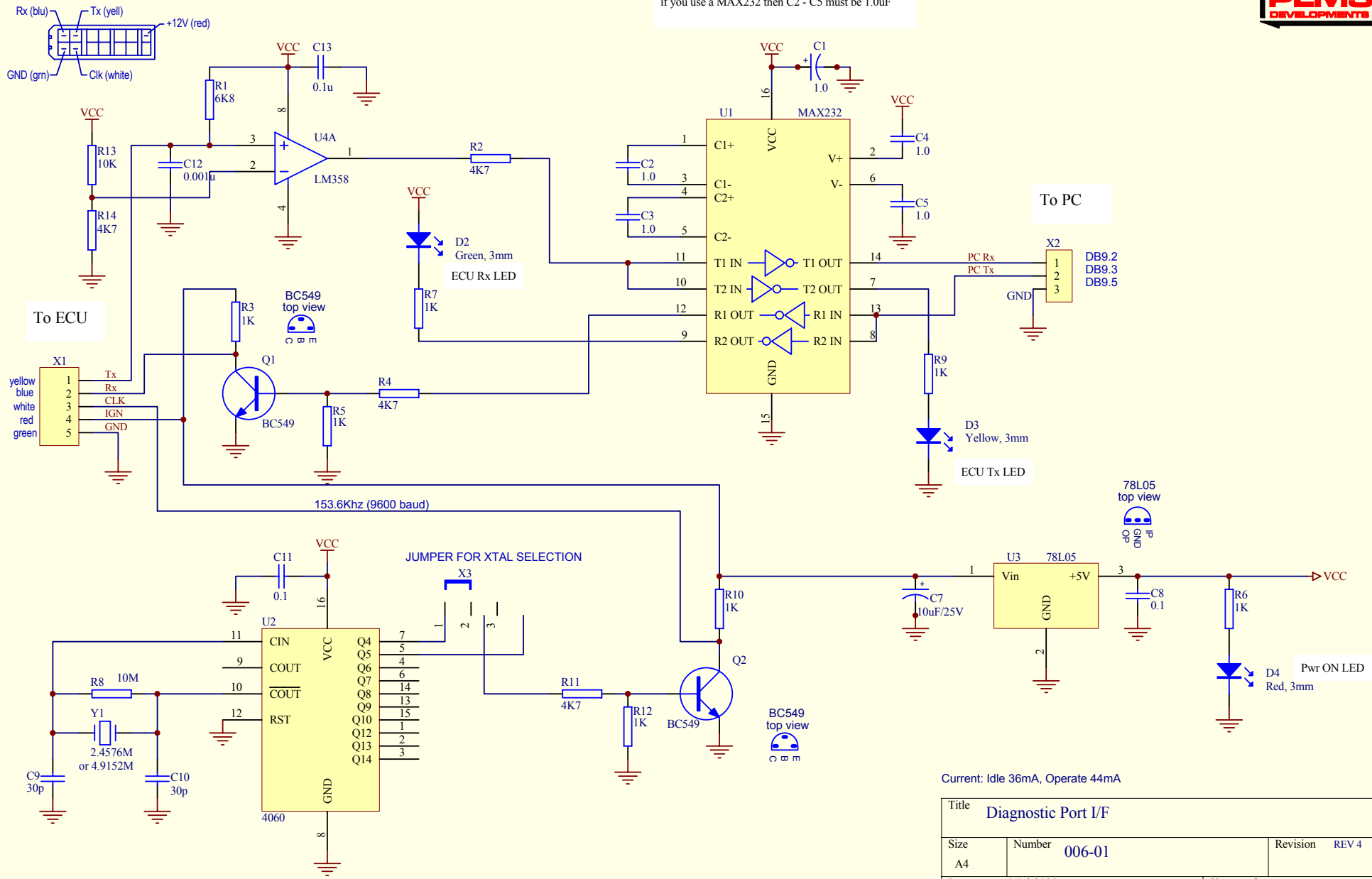


CONSULT CONNECTOR (looking into connector on vehicle)

If you use a MAX232A then C2 - C5 can be 0.1uF,
if you use a MAX232 then C2 - C5 must be 1.0uF



Current: Idle 36mA, Operate 44mA

Title			Diagnostic Port I/F		
Size	Number	Revision		REV 4	
A4	006-01				
Date:	5-Jul-2005	Sheet 1 of 1			
File:	F:\Projects\...006-01 4.sch	Drawn By: PL			